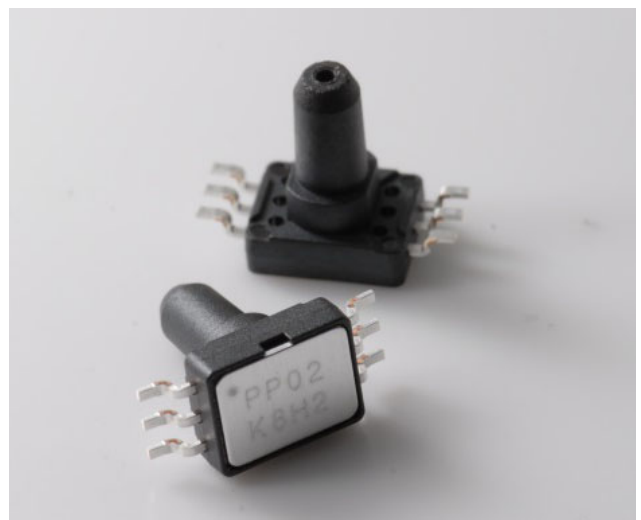


MEMS Gauge Pressure Sensor 2SMPP-03

User's Manual

MEMS Gauge Pressure Sensor



INDEX

1 OUTLINE 2

2 STRUCTURE OF PRESSURE SENSOR 2

3 DIMENSIONS 3

4 PRINCIPAL OF PRESSURE DETECTION 4

5 SPECIFICATIONS OF 2SMPP-03 6

6 FEATURES OF PRODUCT 6

7 USAGE 7

7.1 CONNECTION METHOD 7

7.2 EXAMPLE OF RECOMMENDED CIRCUIT 9

**7.3 OUTPUT CHARACTERISTICS 1: BASIC OUTPUT CHARACTERISTICS OF 2SMPP-03 ELEMENTARY
 SUBSTANCE 10**

8 GLOSSARY 11

9 WARRANTY AND LIMITED LIABILITY 13

1 Outline

This document shows an overview of plus an example of a circuit and the recommended connection method to use with the Omron Gauge type pressure sensor (2SMPP-03).

2 Structure of Pressure Sensor

Fig.1 shows the structure of 2SMPP-03. Each unit is [mm].

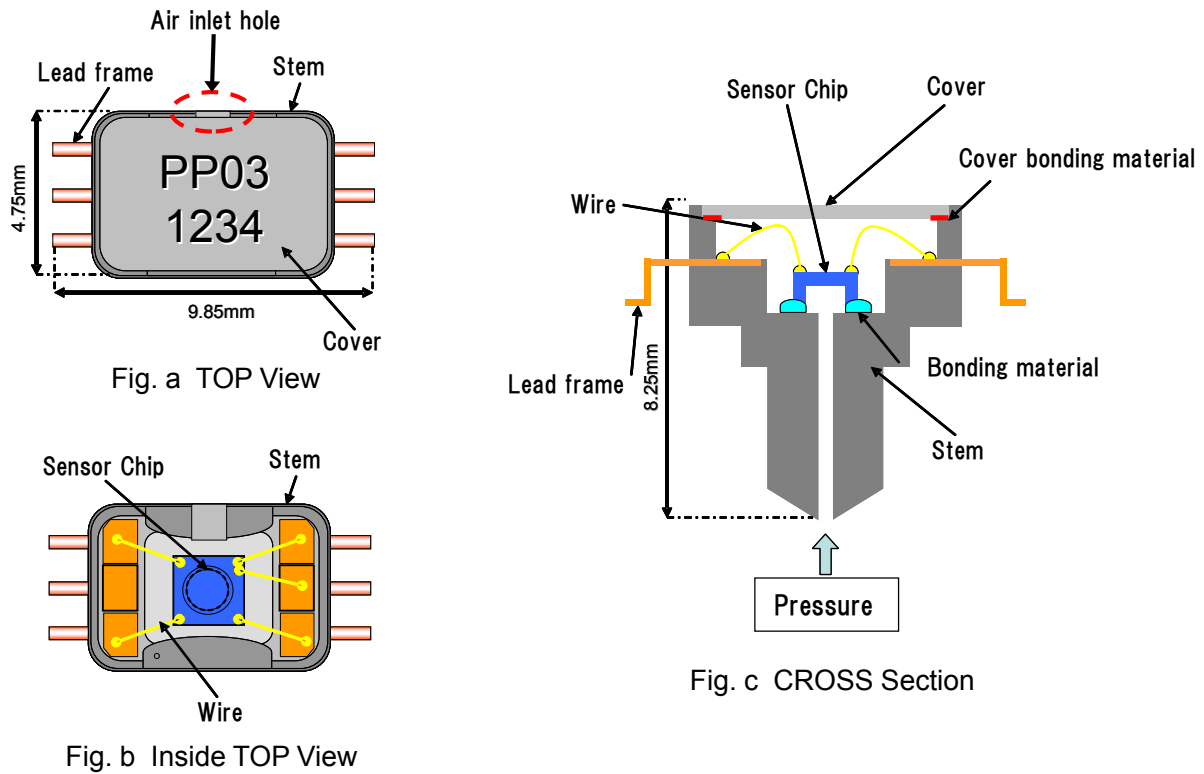
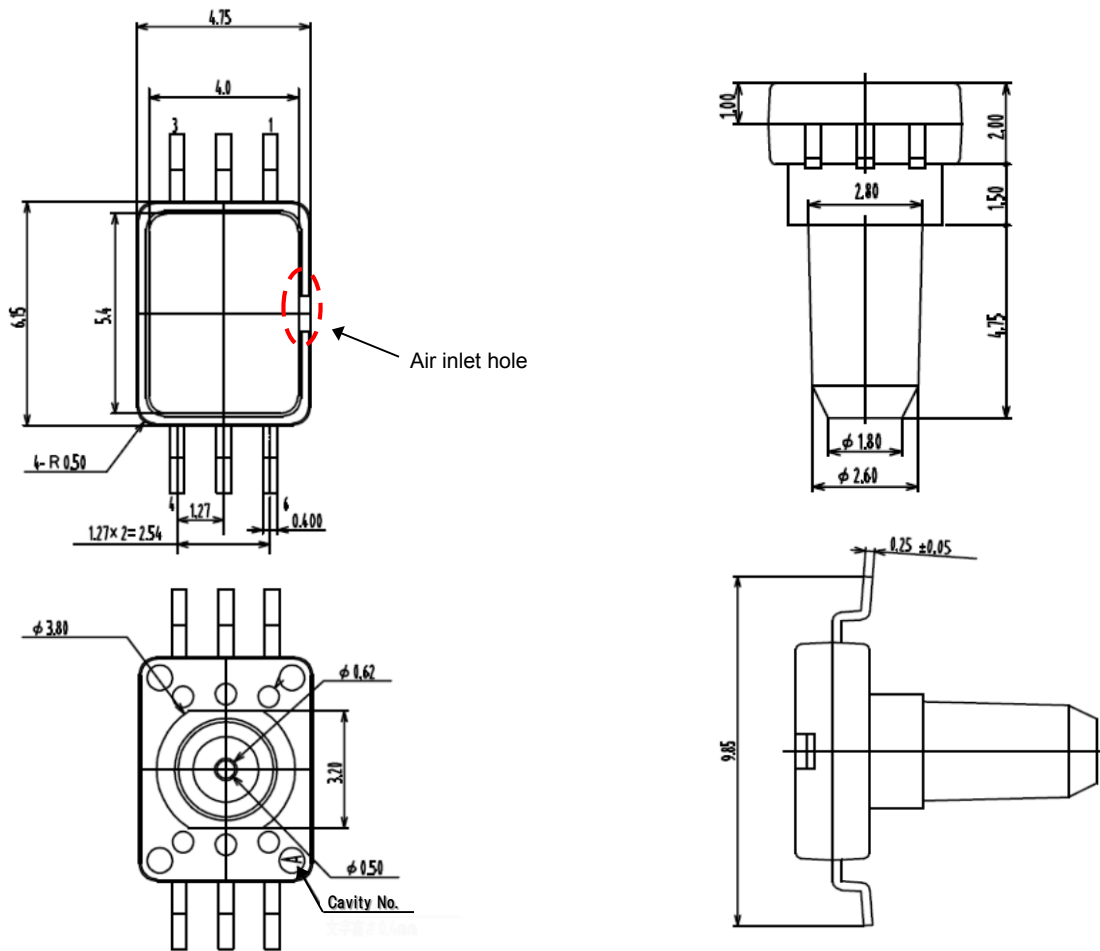


Fig. 1 The structure and parts name of 2SMPP-03

3 Dimensions

Fig. 2. shows the outline dimension of 2SMPP-03. Each unit is [mm].



The recommended tube inside diameter is 2 mm.

Fig. 2 Outline dimension of 2SMPP-03

4 Principal of Pressure detection

Omron's 2SMPP series pressure sensors utilize a piezo-resistive type sensing element. Fig. 3. shows image of overview of Piezo-resistive pressure sensor chip. The diaphragm (blue circle of a Fig. a) is a thin disc, formed on a silicon wafer and deformed by pressure difference between upper and lower. Piezoresistors (green part of Fig. b & Fig. c) are arranged on four points of this thin diaphragm.

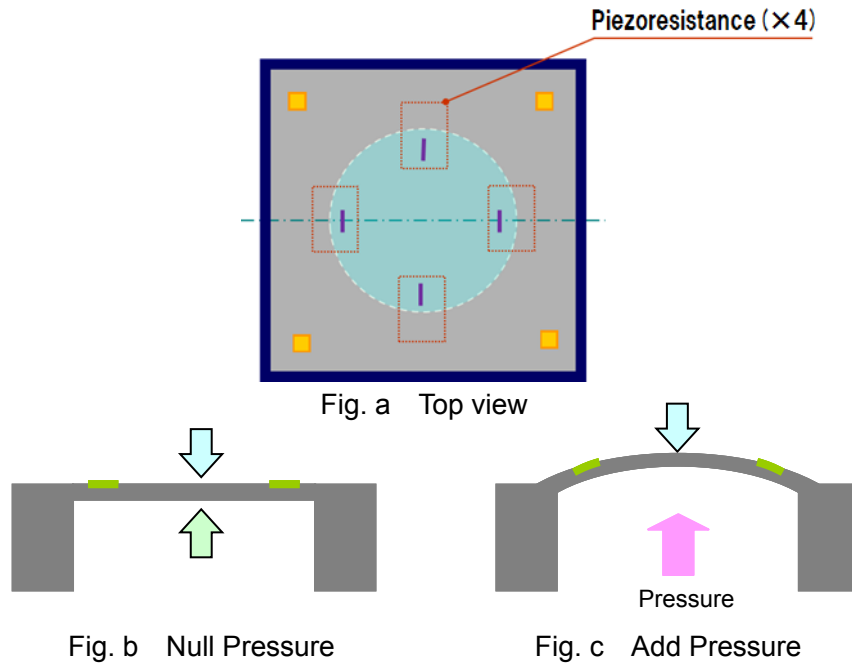


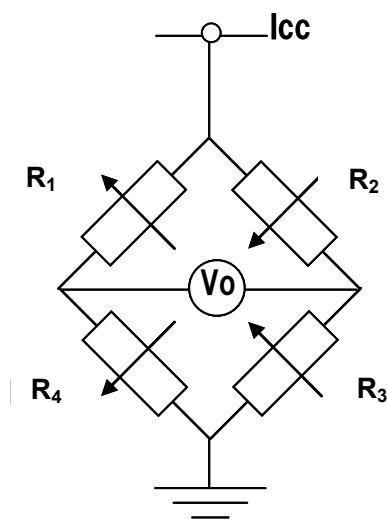
Fig. 3. Piezoresistive pressure sensor image and state of change diaphragm

Atmospheric pressure (Light blue arrow) pushes down on the diaphragm, and the pressure to be measured (Pink arrow in Fig. c) pushes up from the bottom of the diaphragm. In Fig. b, the target pressure (green arrow) is equal to atmospheric pressure, so it is a condition that does not bend the diaphragm. In Fig. c, the target pressure (Pink arrow) is bigger than atmospheric pressure (Light blue arrow), so the diaphragm is pushed up. Under this condition, the deflection of the diaphragm changes the piezoresistance's value on the upper surface of diaphragm.

Fig. 4 shows how to convert from piezoresistance value change to output voltage change. If the pressure applied to the upper and lower diaphragms are balanced, the bridge output voltage V_0 is represented by formula 1.1. In theory V_0 is zero if $R_1=R_2=R_3=R_4$, as the voltage is generated by a slight variation in manufacturing, and is defined as V_{offset} .

Upon deflection of the diaphragm, pressure equilibrium is broken and each of the resistances of the piezoresistive are changed from R to $R \pm \Delta R$. Piezoresistive change in the resistance value which is arranged diagonally as shown by the arrows in the figure has the same tendency (increase or decrease). In case of the condition $R=R_1=R_2=R_3=R_4$ formula 1.1 applies, however when the piezoresistive value has changed from R to $R \pm \Delta R$ formula 1.2 applies. This voltage is called the span voltage, by supplying a constant current I , the amount of change can be detected as a voltage V_0 resistance value change amount(ΔR).

Since there are manufacturing variations in the piezoresistive $R_1/R_2/R_3/R_4$ as described above, the approximate expression of the span voltage is found in formula 1.3.



Bridge output voltage (V_0)

$$V_0 = \left(\frac{R_1 \cdot R_3 - R_2 \cdot R_4}{R_1 + R_2 + R_3 + R_4} \right) \cdot I \quad \dots \text{Eq 1.1}$$

Span Voltage (V_0)

$$V_0 = \left(\frac{(R + \Delta R) \cdot (R + \Delta R) - (R - \Delta R) \cdot (R - \Delta R)}{(R + \Delta R) + (R - \Delta R) + (R + \Delta R) + (R - \Delta R)} \right) \cdot I$$

$$= \Delta R \cdot I \quad \dots \text{Eq 1.2}$$

Span Voltage (V_0)

$$V_0 = \Delta R \cdot I + V_{offset} \quad \dots \text{Eq 1.3}$$

Fig. 4 Theoretical formula and the electrical equivalent circuit of Piezo-resistive pressure sensor

5 Specifications of 2SMPP-03

Table 1 shows the main specifications of 2SMPP-03.

Table 1 Specifications of 2SMPP-03

Item	Description				
Pressure Type	Gauge Pressure (Note 1)				
Applicable gases	Air (Note 2)				
Driven method	Constant Current Supply				
Item	Min	Typ	Max	Unit	Note
Pressure Range	-50	-	50	kPa	
Withstand Pressure	-80	-	120	kPa	
Supply Current	-	100	-	uADC	
Max Supply Current	-	-	200	uADC	
Ambient Operating Temp	-10	-	100	°C	
Ambient Storage Temp	-40	-	120	°C	
Ambient Operating Humidity	10	-	95	%RH	
Ambient Storage Humidity	10	-	95	%RH	
Electrical Characteristic (Temperature : 23[°C], Drive current : 100[uA] Constant current)					
Item	Min	Typ	Max	Unit	Note
Bridge Resistance	18	20	22	kΩ	
Offset Voltage (Note 1)	-6.5	-2.5	1.5	mV	
Span Voltage (Note 1)	36.5	42.0	47.5	mV	at 50[kPa] pressure
	-48.5	-43.0	-37.5		at -50[kPa] pressure
Non-Linearity (Note 1)	0.3	-	1.3	%FS (Note 1)	0~50[kPa]
	-0.3	-	0.7		-50~0[kPa]
Hysteresis (Note 1)	-0.2	-	0.2	%FS (Note 1)	0~50[kPa]
	-0.2	-	0.2		-50~0[kPa]
Temp influence of Span	-1.0	1.0	3.0	%FS (Note 1)	0[°C](0~50[kPa])
	-2.0	1.0	4.0		85[°C]0~50[kPa]
	-1.2	0.8	2.8		0[°C](-50~0[kPa])
	-1.8	1.2	4.2		85[°C](-50~0[kPa])
Temp influence of Offset	-4.0	-	7.0	%FS (Note 1)	0~85[°C]/0~50[kPa]
	-4.0	-	7.0		0~85[°C]/-50~0[kPa]

(Note 1) : For the meaning of the unit, characteristics, refer to Chapter 8.

(Note 2) : Please use dry gases, and avoid dust or corrosive gases.

6 Features of Product

As discussed in the section on the principle of pressure sensing, piezoresistive type sensors to minimize the variation in piezoresistive leads to minimization of measurement error. By using CMOS technology which is applied to the production of highly integrated semiconductor, our gauge pressure sensor is able to achieve a good offset voltage, span voltage and temperature variation characteristics.

7 Usage

7.1 Connection method

As shown in Fig.5, when a constant current of 100uA is provided to the Piezoresistor between terminals 6 and 3. the output voltage, depending on the pressure change, will be output between terminal 1 and 4. Short-circuit terminals 5 and 6 in use and solder terminal 2 to the board, but leave open connection. Refer to the 100uA constant current circuit (Fig. 7) before use.

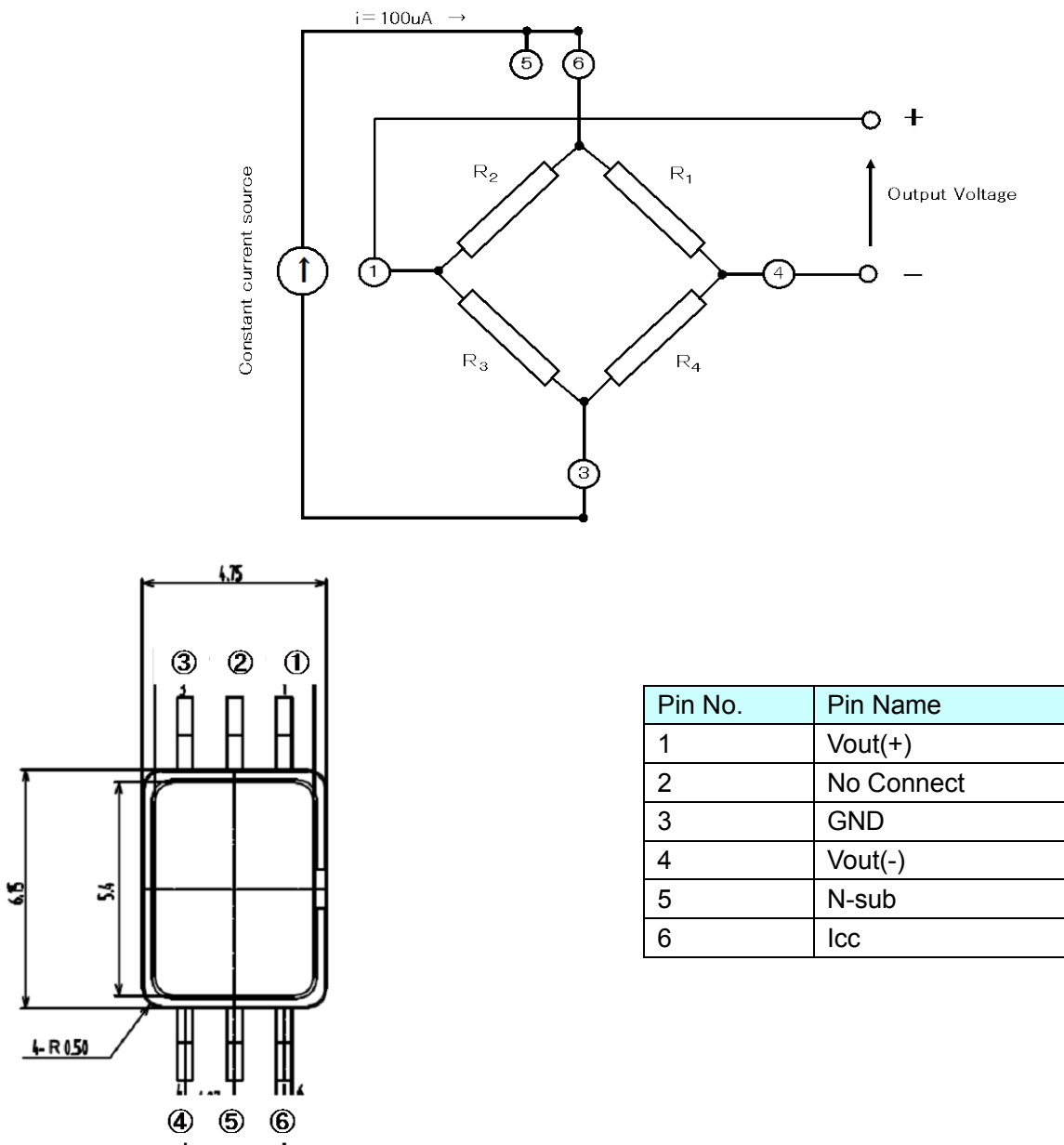


Fig. 5 Equivalent Circuit and Connection Diagram of 2SMPP-03

Be sure to check that there is no leak path between each terminal by solder paste before actual use. The desired characteristic may not be achieved if there is the influence of a leak path.

Fig.6 shows the recommended mounting pad layout of 2SMPP-03. In order to penetrate the pressure port through the mounting board, through-hole of $\Phi 4.0$ mm needs to be made on a mounting board.

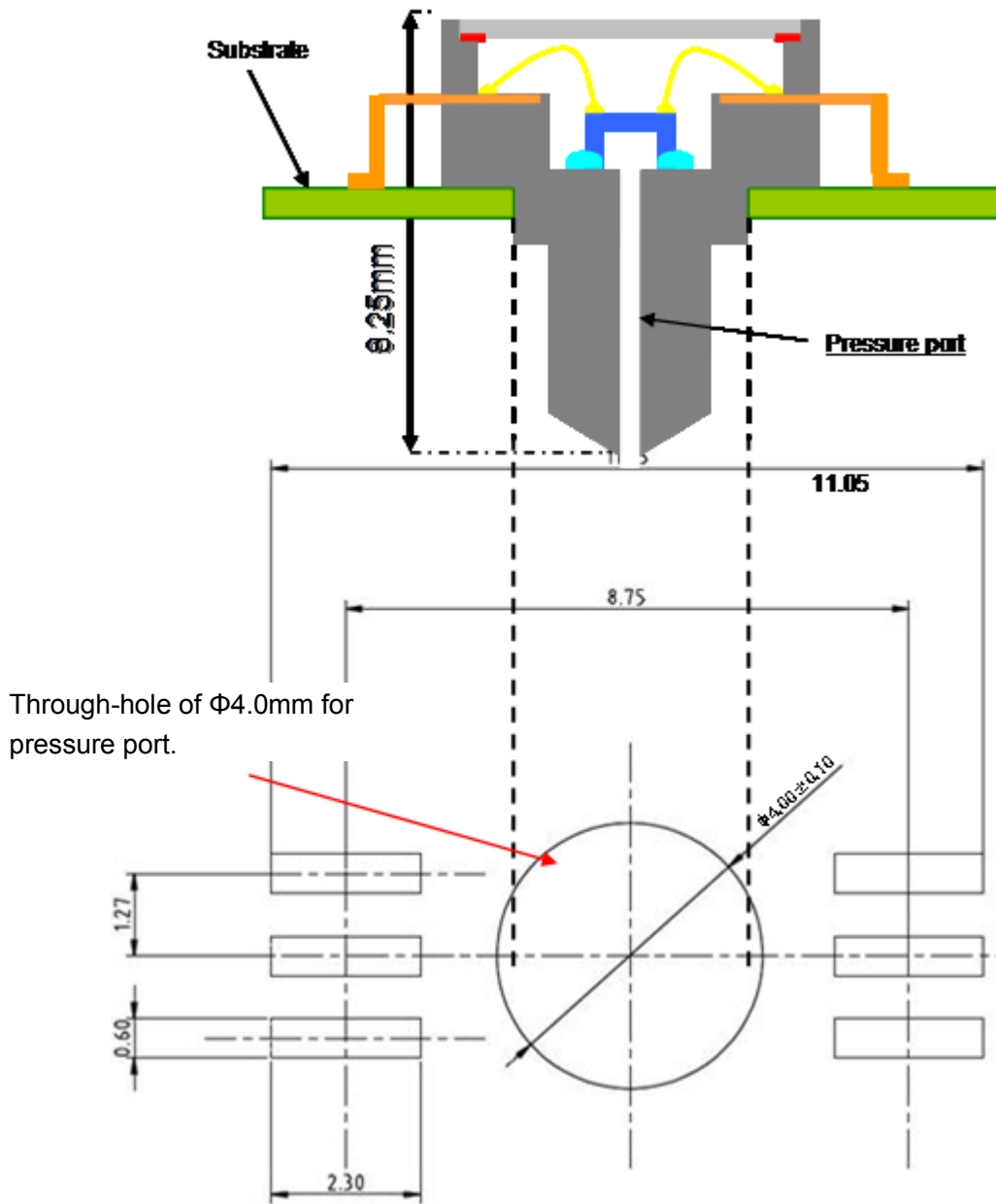


Fig.6 Recommended Mounting PAD Layout of 2SMPP-03

7.2 Example of recommended circuit

An example of a recommended circuit is shown in Fig.7. A constant current circuit and an instrumentation amplifier are used with an example of Gain=21. Herein, a power supply voltage is 5 [V].

- Calculation of constant current (R1=40[kΩ] , R2=10[kΩ])

$$I_{cc} = \frac{\left[V_{DD} \cdot \left(\frac{R2}{R1 + R2} \right) \right]}{R3} \Rightarrow I_{cc} = \frac{\left[5[V] \cdot \left(\frac{10[k\Omega]}{40[k\Omega] + 10[k\Omega]} \right) \right]}{10[k\Omega]} = 100[\mu A]$$

- Calculation of Gain (R4~R5 , R7~R10=10[kΩ] , R6=1[kΩ])

$$Gain = 1 + \left(\frac{2 \cdot R5}{R6} \right) \cdot \left(\frac{R9}{R4} \right) \Rightarrow Gain = 1 + \left(\frac{2 \cdot 10[k\Omega]}{1[k\Omega]} \right) \cdot \left(\frac{10[k\Omega]}{10[k\Omega]} \right) = 21[ratio]$$

Herein, R4=R8, R5=R7, R9=R10

Then, final output voltage of Vout is defined as $V_{out} = Gain \cdot V_s$. (Vs is sensor output voltage)

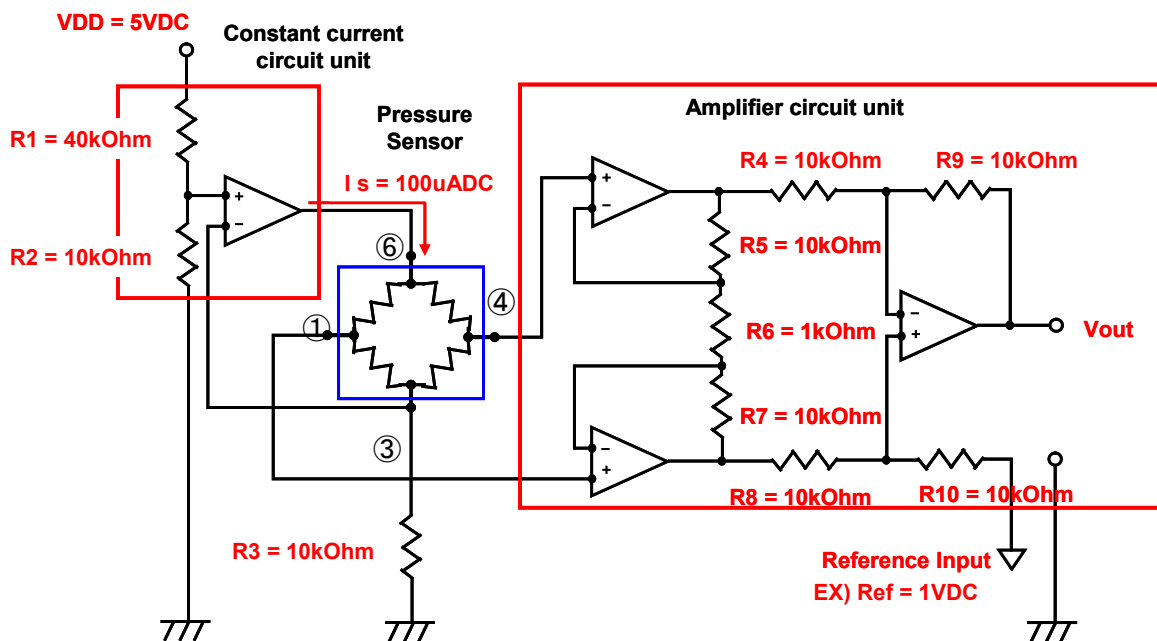


Fig.7 Example of Recommended Circuit Diagram for 2SMPP-03

In such recommended circuit diagram, instrumentation amplifier such as Texas Instruments LMV324 with four operational amplifiers can be used for gain adjustment. A metal film resistor with good temperature characteristics should be used for R3. In addition, it is necessary to adjust the Ref voltage value connected to R10 according to the gain to be used. For example, if Gain = 21 then Ref = 1.0 [V], if Gain=201 then Ref = 1.5 [V] would be needed.

7.3 Output Characteristics 1: Basic output characteristics of 2SMPP-03 elementary substance

Fig.8 shows the output characteristics at room temperature (25deg-C) when applying the pressure from -50 [kPa] to 50 [kPa] at the condition of the constant current 100 uA. Span voltage at positive pressure (0~50[kPa]) is typically 42 [mV],at negative pressure (-50~ 0[kPa]) is typically -43[mV].

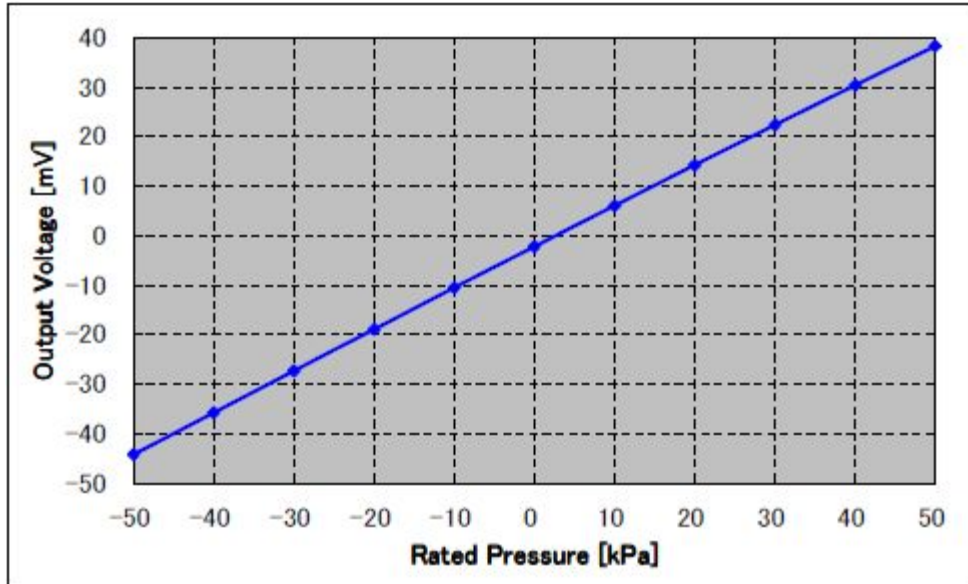


Fig.8 Output Characteristic of 2SMPP-03 (raw output voltage between Terminal 1 and 4)

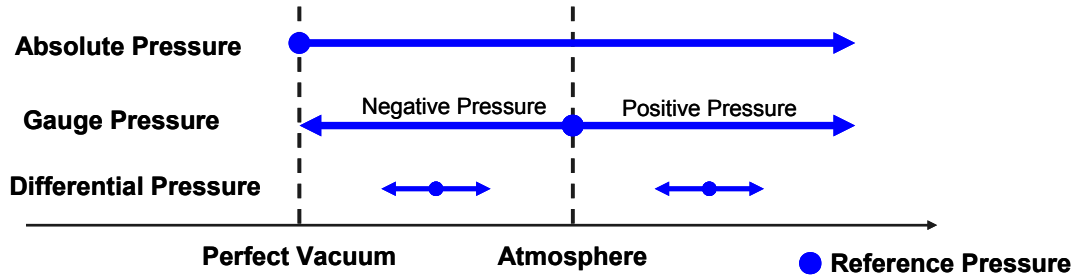
8 Glossary

- **Various pressure and pressure reference name**

A gauge pressure is a pressure relative to the atmospheric pressure.

A gauge pressure which is greater than atmospheric pressure, is called positive pressure.

And a gauge pressure which is smaller than atmospheric pressure, is called negative pressure.



- **Offset Voltage**

The output voltage at Null pressure. (0[kPa]).

- **Span Voltage**

At positive pressure range (0~50[kPa])

It is calculated by subtracting the output voltage at Null pressure (0[kPa]) from the output voltage at Maximum rating pressure (50[kPa]).

At negative pressure range (-50~0[kPa])

It is calculated by subtracting the output voltage at Null pressure (0[kPa]) from the output voltage at Maximum rating pressure (-50[kPa]).

- **Non-Linearity**

At positive pressure range (0~50[kPa])

The amount of gap from an ideal output straight line and the output voltage at any pressure within the specified range which makes the deviation maximum. An ideal output line is drawn by connecting the points of output voltage at Null pressure (0[kPa]) and at Maximum rating pressure (50[kPa]). %FS notation that is normalized on the Span voltage at the time of 25 deg-C can be used.

At negative pressure range (-50~0[kPa])

The amount of gap from an ideal output straight line and the output voltage at any pressure within the specified range which make the deviation maximum. An ideal output line is drawn by connecting the points of output voltage at Null pressure (0[kPa]) and at Maximum rating pressure (-50[kPa]). %FS notation that is normalized on the Span voltage at the time of 25 deg-C can be used.

- **Hysteresis**

At positive pressure range (0~50[kPa])

The maximum output voltage deviation at any pressure within the specified range when a pressure is repeatedly applied from Null pressure (0[kPa]) to Maximum rating pressure (50 [kPa]). %FS notation that is normalized on the Span voltage at the time of 25 deg-C can be used.

At negative pressure range (-50~0[kPa])

The maximum output voltage deviation at any pressure within the specified range when a pressure is repeatedly applied from Null pressure (0 [kPa]) to Maximum rating pressure (-50 [kPa]). %FS notation that is normalized on the Span voltage at the time of 25 deg-C can be used.

- **%FS**

"Percent Full Scale". Target item and amount of change are normalized on the Span voltage at the time of 25 deg-C. The percentage notation can be used.

9 WARRANTY AND LIMITED LIABILITY

Thank you for your usage of products of Omron Corporation (“Omron”). Without any special agreements, this Terms and Conditions shall apply to all transactions regardless of who sells. Place an order, accepting this Terms and Conditions.

1. DEFINITIONS

The following terms used herein have following meaning.

- (1) Omron Products; Electronic components sold by Omron
- (2) Catalogues; Any and all catalogues (including the Components Catalogue), specifications, instructions and manuals relating to Omron Products, including electronically provided data.
- (3) Conditions; Use conditions, rating, performance, operating environment, handling procedure, precautions and/or prohibited use of Omron Products described in the Catalogues.
- (4) User Application(s); Application of Omron Products by a customer, including but not limited to embedding Omron Products into customer’s components, electronic circuit boards, devices, equipments or systems
- (5) Fitness; (a)performance, (b) no infringement of intellectual property of third party, (c) compliance with laws and regulations and (d)conformity to various standards by Omron Products in User Applications.

2. NOTE ABOUT DESCRIPTIONS

Please understand following as to contents of the Catalogues.

- (1) Rating and performance is tested separately. Combined conditions are not warranted.
- (2) Reference data is intended to be used just for reference. Omron does NOT warrant that the Omron Product can work properly in the range of reference data.
- (3) Examples are intended for reference. Omron does not warrant the Fitness in usage of the examples.
- (4) Omron may discontinue Omron Products or change specifications of them because of improvements or other reasons.

3. NOTE ABOUT USE

Please understand followings as to your adoption and use of Omron Products

- (1) Please use the product in conformance to the Conditions, including rating and performance.
- (2) Please confirm the Fitness and decide whether or not Omron Products are able to be adopted in the User Application.
- (3) Omron will not warrant any items in 1.(5) (a) to (d) of User Application nor the Fitness.
- (4) If you use Omron Products in the application below, please ensure followings; (i) allowance in aspect of rating and performance, (ii) safety design which can minimize danger of the Application when the product does not work properly and (iii) periodical maintenance of the product and the Application.
 - (a) Applications requiring safety, including, without limitation, nuclear control facilities, combustion facilities, aerospace and aviation facilities, railroad facilities, elevating facilities, amusement facilities, medical facilities, safety devices or other applications which has possibility to influence lives or bodies
 - (b) Applications requiring high reliability, including, without limitation, supplying systems of gas, water and electric power and applications handling right, title, ownership or property, such as payment systems

-
- (c) Applications in a harsh condition or environment, including, without limitation, outdoor facilities, facilities with potential of chemical contamination or electromagnetic interference, facilities with vibration or impact and facilities on continual operation for a long period
 - (d) Applications under conditions or environment which are not described in this specification
- (5) Omron Products shown in this catalogue are not intended to be used in automotive applications (including two wheel vehicles). Please DO NOT use the Omron Products in the automotive application.
- (6) THE PRODUCTS CONTAINED IN THIS CATALOG ARE NOT SAFETY RATED. THEY ARE NOT DESIGNED OR RATED FOR ENSURING SAFETY OF PERSONS, AND SHOULD NOT BE RELIED UPON AS A SAFETY COMPONENT OR PROTECTIVE DEVICE FOR SUCH PURPOSES. Please refer to separate catalogs for OMRON's safety rated products.

4. WARRANTY

Warranty of Omron Products is subject to followings.

- (1) Warranty Period; One year after your purchase
- (2) Warranty; Omron will provide, free of charge, replacements of the same number of malfunctioning products
- (3) Exceptions; This warranty does not cover malfunctions caused by any of the following.
 - (a) Usage in the manner other than its original purpose
 - (b) Usage out of the Conditions
 - (c) Cause which could not be foreseen by the level of science and technology at the time of shipment of the product
 - (d) Cause outside Omron or Omron Products, including force majeure such as disasters

5. LIMITATION ON LIABILITY

THE WARRANTY DESCRIBED IN THIS "TERMS AND CONDITIONS" IS A WHOLE AND SOLE LIABILITY FOR OMRON PRODUCTS. THERE ARE NO OTHER WARRANTIES, EXPRESSED OR IMPLIED. OMRON AND DISTRIBUTORS ARE NOT LIABLE FOR ANY DAMAGES ARISEN FROM OR RELATING TO OMRON PRODUCTS.

6. PROGRAMMABLE PRODUCTS

OMRON shall not be responsible for the user's programming of a programmable product, or any consequence thereof.

7. EXPORT CONTROLS

Buyer shall comply with all applicable laws and regulations of Japan and/or other related countries at the time of export or provision to non-citizens of Omron Products or their technical information.

EC200E

Please check each region's Terms & Conditions by region website.

OMRON Corporation

Electronic and Mechanical Components Company

Regional Contact

Americas

<https://www.components.omron.com/>

Asia-Pacific

<https://ecb.omron.com.sg/>

Korea

<https://www.omron-ecb.co.kr/>

Europe

<http://components.omron.eu/>

China

<https://www.ecb.omron.com.cn/>

Japan

<https://www.omron.co.jp/ecb/>