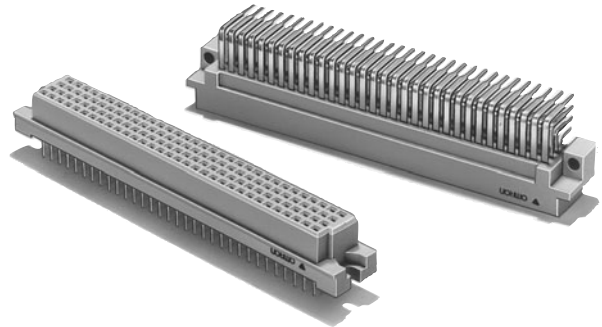


### Multi-contact (4-row, 128-contact) Connectors Expanding the DIN Concept

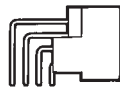
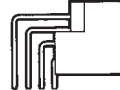
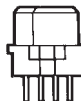
- Fully preserve the characteristics of normal DIN connectors while increasing the number of contacts available.
- Right-angle plug terminals of the standard DIN type and those vertically mounted on PCBs are available.
- Twin-contact sockets are used for high reliability and low insertion force.



RoHS Compliant

### Ordering Information

#### Four-row Connectors

Model	XC5M Standard DIN	XC5M-1 DIN style 1	XC5N DIN style 3
Appearance	Plug with right-angle terminals 	Plug with right-angle terminals 	Socket with straight terminals 
Page	2		3

### Ratings and Characteristics

Rated current	2 A
Rated voltage	300 VAC
Contact resistance	30 mΩ max. (at 20 mV, 100 mA max.)
Insulation resistance	10 <sup>6</sup> MΩ min. (at 100 VDC)
Dielectric strength	1,000 VAC for 1 min (leakage current: 1 mA max.)
Total insertion force	0.59 N max. per contact
Removal force	0.15 N max. (with test gauge, t = 0.56 mm)
Insertion durability	200 times
Ambient operating temperature	Operating: -55 to 125°C (with no icing)

### Materials and Finish

Type	Plugs	Sockets
Housings	Fiber-glass reinforced PBT resin (UL94V-0)/gray	
Contacts	Mating end	Phosphor bronze/nickel base, 0.4-μm gold plating (See note.)
	Terminal	Phosphor bronze/nickel base, 2.0-μm tin plating

**Note:** For non-standard plating, contact your OMRON representative.

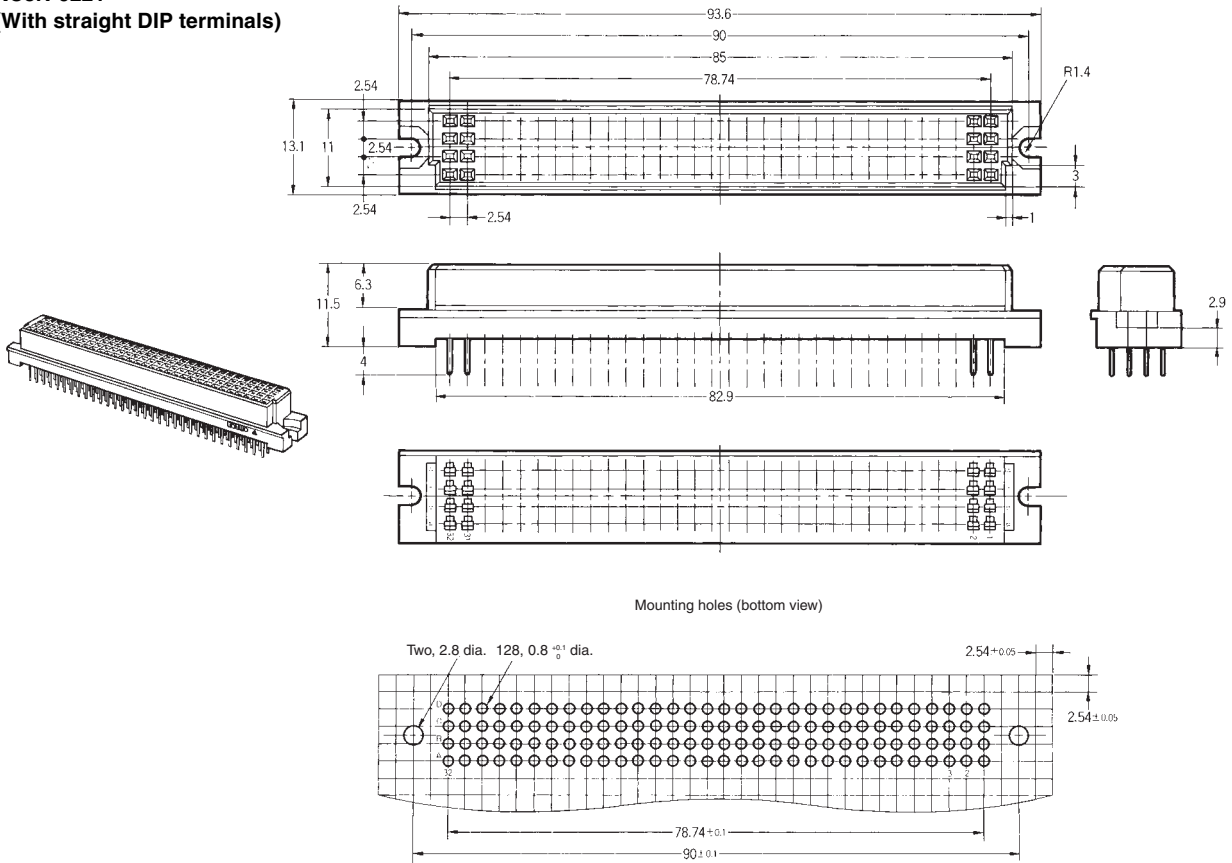
# XC5N Four-row Sockets

## ■ Dimensions

(unit: mm)

XC5N-0221

(With straight DIP terminals)



## ■ Ordering Information

No. of contacts	Terminal type	Model
128	Straight DIP terminals	XC5N-0221