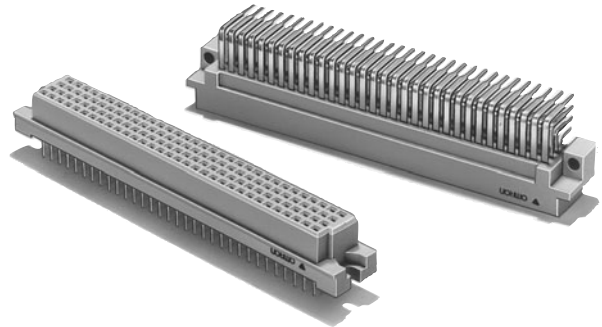


Multi-contact (4-row, 128-contact) Connectors Expanding the DIN Concept

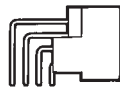
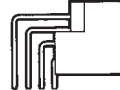
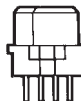
- Fully preserve the characteristics of normal DIN connectors while increasing the number of contacts available.
- Right-angle plug terminals of the standard DIN type and those vertically mounted on PCBs are available.
- Twin-contact sockets are used for high reliability and low insertion force.



RoHS Compliant

Ordering Information

Four-row Connectors

Model	XC5M Standard DIN	XC5M-1 DIN style 1	XC5N DIN style 3
Appearance	Plug with right-angle terminals 	Plug with right-angle terminals 	Socket with straight terminals 
Page	2		3

Ratings and Characteristics

Rated current	2 A
Rated voltage	300 VAC
Contact resistance	30 mΩ max. (at 20 mV, 100 mA max.)
Insulation resistance	10 ⁶ MΩ min. (at 100 VDC)
Dielectric strength	1,000 VAC for 1 min (leakage current: 1 mA max.)
Total insertion force	0.59 N max. per contact
Removal force	0.15 N max. (with test gauge, t = 0.56 mm)
Insertion durability	200 times
Ambient operating temperature	Operating: -55 to 125°C (with no icing)

Materials and Finish

Type	Plugs	Sockets
Housings	Fiber-glass reinforced PBT resin (UL94V-0)/gray	
Contacts	Mating end	Phosphor bronze/nickel base, 0.4-μm gold plating (See note.)
	Terminal	Phosphor bronze/nickel base, 2.0-μm tin plating

Note: For non-standard plating, contact your OMRON representative.

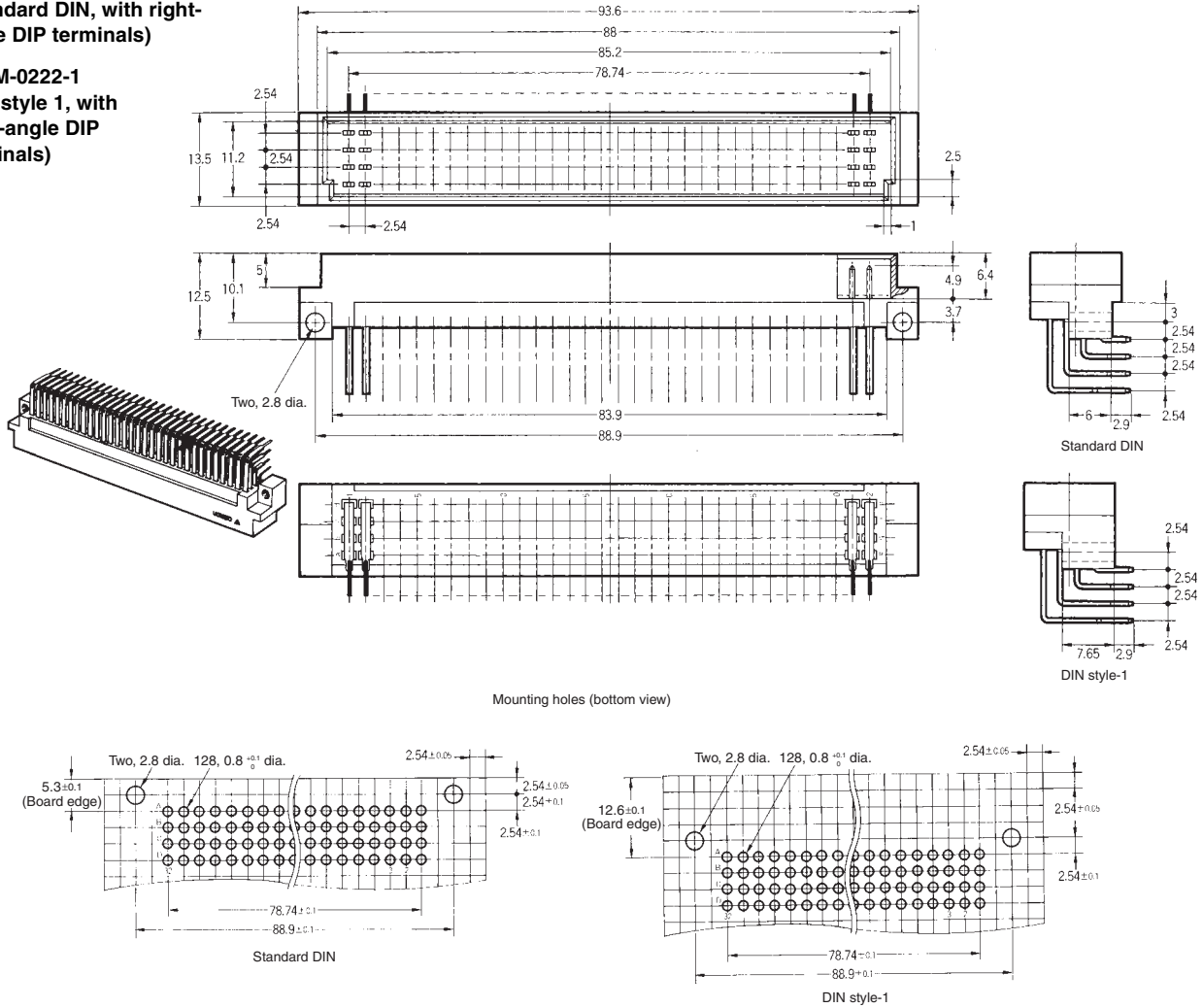
XC5M Four-row Plugs

■ Dimensions

(unit: mm)

XC5M-0222
(Standard DIN, with right-angle DIP terminals)

XC5M-0222-1
(DIN style 1, with right-angle DIP terminals)



■ Ordering Information

No. of contacts	Housing	Model
128	Standard DIN	XC5M-0222
	DIN style 1	XC5M-0222-1