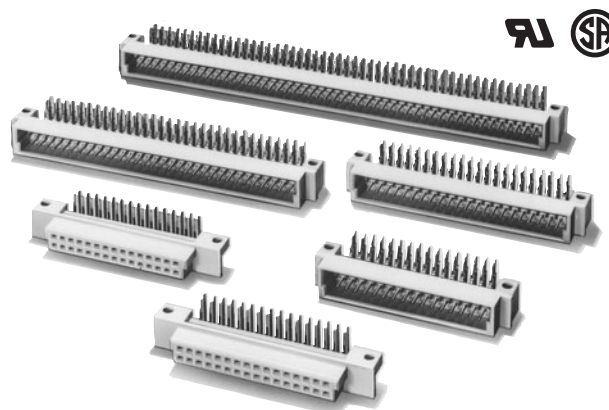


Expanding the DIN Concept

- Mates with DIN connectors.
- Ideal for automated soldering because the Connectors sit on top of the board.
- Mounting dimensions of the DIN Style-1 Connectors are the same as the DIN connector.
- DIN Style-2 Connectors have widened dimensions for ease of mounting.
- Conform to UL standards (file no. E103202) and CSA standards (file no. LR 62678). (Except XC5K models)



RoHS Compliant

■ Ratings and Characteristics

Rated current	2 A
Rated voltage	300 VAC
Contact resistance	20 mΩ max. (at 20 mV, 100 mA max.)*
Insulation resistance	10 ⁶ MΩ min. (at 100 VDC)
Dielectric strength	1,000 VAC for 1 min (leakage current: 1 mA max.)
Total insertion force	0.59 N max. per contact
Removal force	0.15 N min. (with test gauge, t = 0.56 mm)
Insertion durability	50 times
Ambient operating temperature	Operating: -55 to 125°C (with no icing)

*The XC5K is 30mΩ max. (at 20 mV DC max., 100 mA max.)

■ Materials and Finish

Type	Plugs	Sockets
Housings	Fiber-glass reinforced PBT resin (UL94V-0)/gray	
Contacts	Mating end	Phosphor bronze/nickel base, 0.15-μm gold plating
	Terminal	Phosphor bronze/nickel base, 2.0-μm tin plating

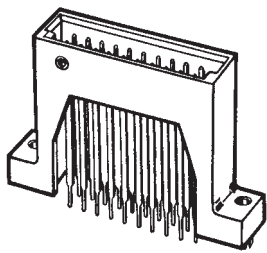
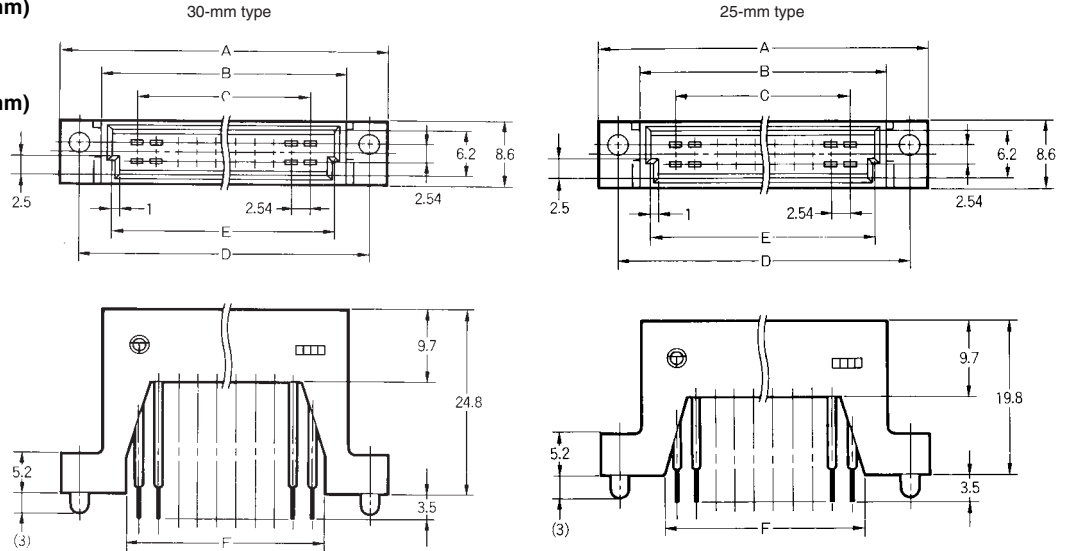
XC5K Plugs with Large Stacking Space

■ Dimensions

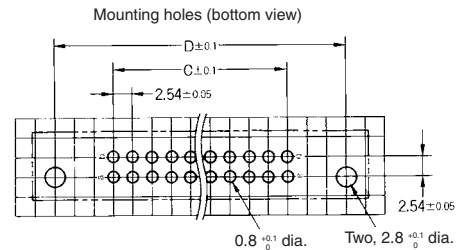
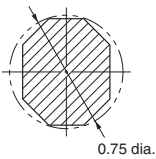
(unit: mm)

XC5K-□□31-3A
(With straight DIP terminals with a stacking space of 30 mm)

XC5K-□□31-2A
(With straight DIP terminals with a stacking space of 25 mm)



XC5K
DIP terminal cross-section diagram



Dimensions

No. of contacts	Dimensions (mm)					
	A	B	C	D	E	F
16	37.9	27.0	17.78	33.02	24.2	21.0
20	43.0	32.1	22.86	38.10	29.3	26.1
32	58.2	47.4	38.10	53.34	44.6	41.4

■ Ordering Information

No. of contacts	Stacking space: 30 mm	Stacking space: 25 mm	Mated Connector
16	XC5K-1631-3A	XC5K-1631-2A	XC5B-1631-3
20	XC5K-2031-3A	XC5K-2031-2A	XC5B-2031-0
32	XC5K-3231-3A	XC5K-3231-2A	XC5B-3231-0