

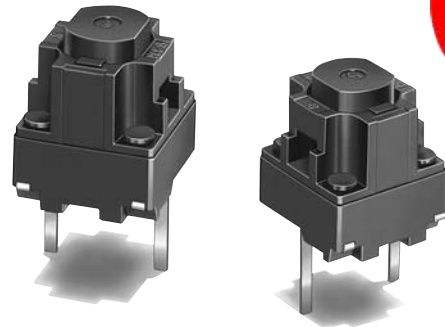
## Long-stroke Tactile Switch

## B3M

### Through-hole-mounting Switches with a Long Stroke and a Sharp Click

- Long stroke of 0.85 mm provides radically improved operability.
- Light touch with a minimum overstroke of 0.25 mm.
- High durability achieved with 2,000,000-operation capability.

RoHS Compliant



### ■ List of Model

#### 6 × 6 mm Models

Model	Contact material	Height	Operating force (OF)	Plunger color	Bags	
					Model without ground terminal	Minimum packing unit
B3M	Silver plated	7.3 mm	0.69 N {70 gf}	Black	B3M-6009	100 switches

**Note:** Bulk Packaged, 100 switches per bag. Order in multiple of the package quantity.

### ■ Ratings/Characteristics

Rating (resistive load)	1 to 50 mA, 3 to 12 VDC
Minimum applicable load (reference value)	10 μA at 1 VDC (resistive load)
Ambient operating temperature	-25°C to +70°C at 60%RH max. (with no icing or condensation)
Ambient operating humidity	35% to 85% (at +5 to +35°C)
Contact form	SPST-NO
Contact resistance (initial value)	500 mΩ max.
Insulation resistance	100 MΩ min. (at 250 VDC with insulation tester)
Dielectric strength	250 VAC, 50/60Hz for 1 min
Bounce time	5 ms max.
Vibration resistance	Malfunction: 10 to 55 Hz, 1.5-mm double amplitude
Shock resistance	Malfunction: 100 m/s <sup>2</sup> {approx. 10G} max.
Durability	2,000,000 operations min.
Weight	Approx. 0.27 g
Degree of protection	IEC IP00
Washing	Not possible

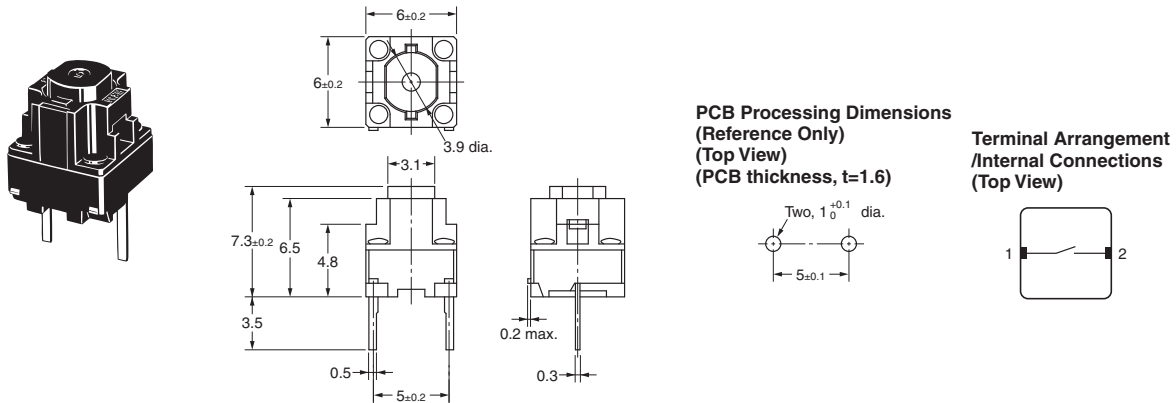
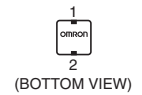
This announcement is based on product catalogue information previously shown before its discontinuation.  
 Product information of the existing product may be different from this version.

■ **Operating Characteristics**

Item	B3M-6009
Operating force (OF)	0.69±0.20 N {70±20 gf}
Releasing force (RF)	0.2 N {20 gf} min.
Pretravel (PT)	0.5 mm max.
Overtravel (OT)	0.2 mm min.

■ **Dimensions** (Unit: mm)

**Note:** The numbers used for terminals in the following graphics are indicated in the "Bottom View" diagram below. In this diagram, the Switch is rotated so that the terminals are on the right and left-hand sides, and the OMRON logo appears the right way up.



**Note:** Unless otherwise specified, a tolerance of ±0.4 mm applies to all dimensions. No terminal numbers are indicated on the Switches.

■ **Precautions**

Be sure to read the safety precautions common to all Tactile Switches on pages for correct use.

This announcement is based on product catalogue information previously shown before its discontinuation.

Product information of the existing product may be different from this version.

- Application examples provided in this document are for reference only. In actual applications, confirm equipment functions and safety before using the product.
- Consult your OMRON representative before using the product under conditions which are not described in the manual or applying the product to nuclear control systems, railroad systems, aviation systems, vehicles, combustion systems, medical equipment, amusement machines, safety equipment, and other systems or equipment that may have a serious influence on lives and property if used improperly. Make sure that the ratings and performance characteristics of the product provide a margin of safety for the system or equipment, and be sure to provide the system or equipment with double safety mechanisms.

**Note: Do not use this document to operate the Unit.**