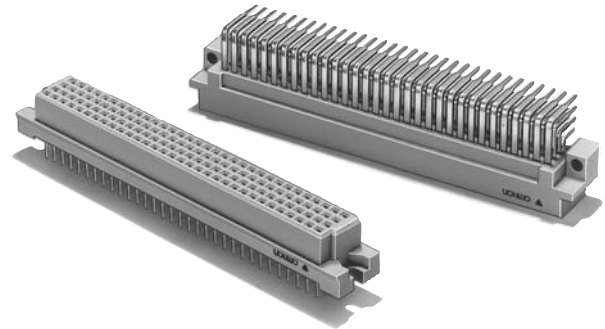


Multi-contact (4-row, 128-contact) Connectors Expanding the DIN Concept

- Fully preserve the characteristics of normal DIN connectors while increasing the number of contacts available.
- Right-angle plug terminals of the standard DIN type and those vertically mounted on PCBs are available.
- Twin-contact sockets are used for high reliability and low insertion force.
- See the "Standards certification / conformity list" for information on conformity to certification standards.



RoHS Compliant

■ Ratings and Characteristics

| | |
|-------------------------------|--|
| Rated current | 2 A |
| Rated voltage | 300 VAC |
| Contact resistance | 30 mΩ max. (at 20 mV, 100 mA max.) |
| Insulation resistance | 10 ⁶ MΩ min. (at 100 VDC) |
| Dielectric strength | 1,000 VAC for 1 min (leakage current: 1 mA max.) |
| Total insertion force | 0.59 N max. per contact |
| Removal force | 0.15 N min. (with test gauge, t = 0.56 mm) |
| Insertion durability | 200 times |
| Ambient operating temperature | -55 to 125°C (with no icing at low temperature) |

■ Materials and Finish

| Type | Plugs | Sockets |
|----------|--|--|
| Housings | Fiber-glass reinforced PBT resin (UL94 V-0)/gray | |
| Contacts | Mating end | Phosphor bronze/nickel base, 0.4-μm gold plating (See note.) |
| | Terminal | Phosphor bronze/nickel base, 2.0-μm tin plating |

Note: For non-standard plating, contact your OMRON representative.

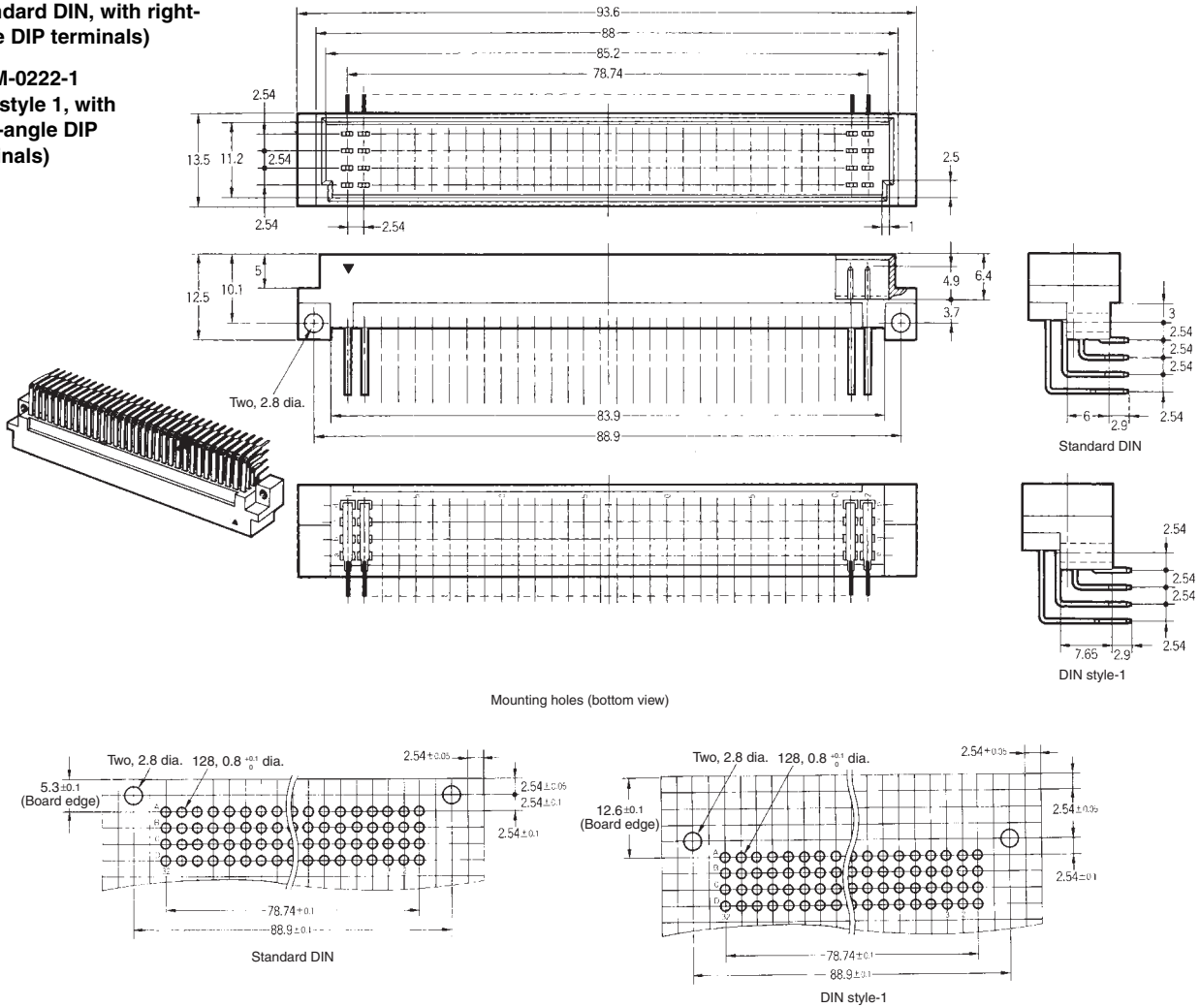
XC5M Four-row Plugs

■ Dimensions

(unit: mm)

XC5M-0222
(Standard DIN, with right-angle DIP terminals)

XC5M-0222-1
(DIN style 1, with right-angle DIP terminals)



■ Ordering Information

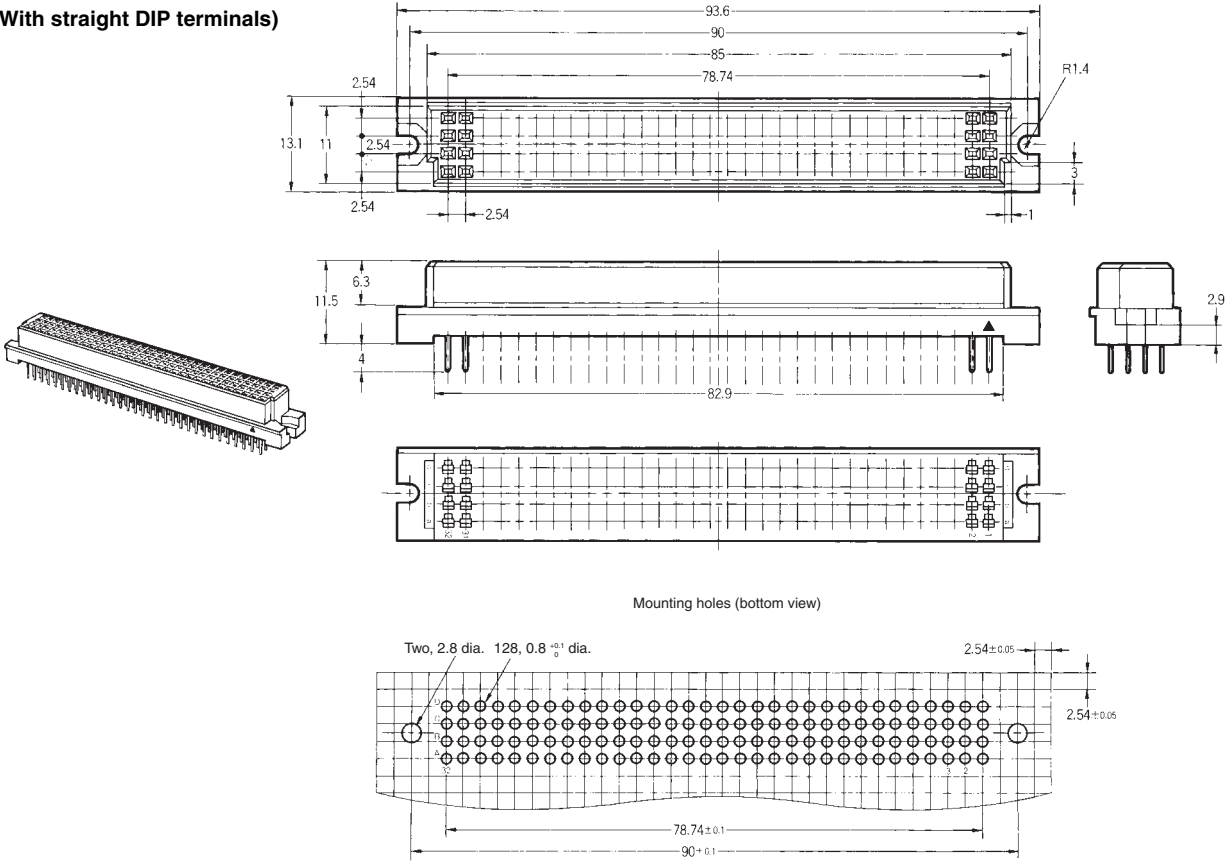
| No. of contacts | Housing | Model |
|-----------------|--------------|-------------|
| 128 | Standard DIN | XC5M-0222 |
| | DIN style 1 | XC5M-0222-1 |

XC5N Four-row Sockets

■ Dimensions

(unit: mm)

XC5N-0221
(With straight DIP terminals)

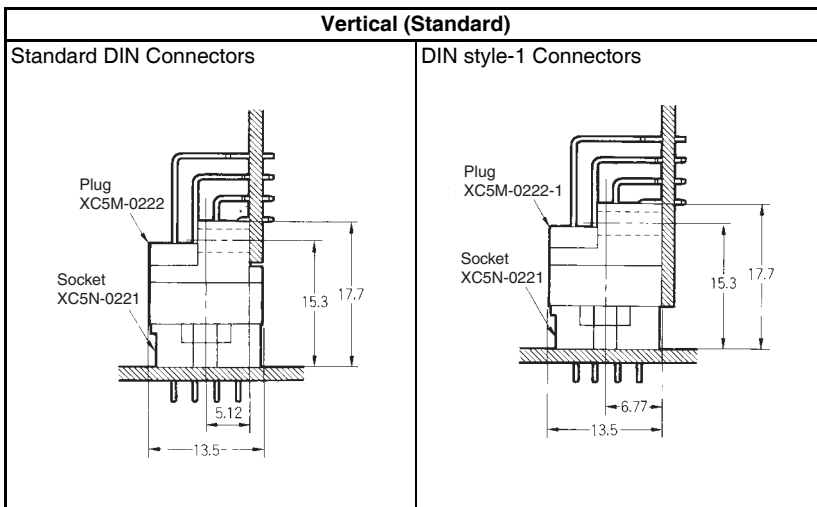


■ Ordering Information

| No. of contacts | Terminal type | Model |
|-----------------|------------------------|-----------|
| 128 | Straight DIP terminals | XC5N-0221 |

■ Mating Diagrams

(unit: mm)



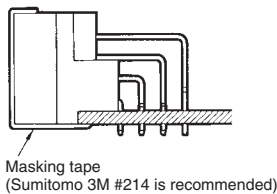
■ Precautions

Correct Use

Soldering

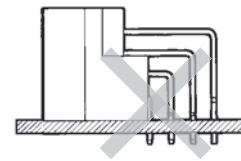
Automated Soldering

Before using automated soldering on a Connector that has right-angle terminals, mask the Connector (refer to the diagram).



Mounting Position on PCB

When mounting right-angle terminals (DIN Style-1 Connectors) on a PCB, select a position where the PCB is not under the body of the Connector.



Automated Soldering Conditions (Jet Flow)

1. Soldering temperature: 250±5°C
2. Continuous soldering time: Within 5±1 s

Please check each region's Terms & Conditions by region website.

OMRON Corporation

Electronic and Mechanical Components Company

Regional Contact

Americas

<https://www.components.omron.com/>

Asia-Pacific

<https://ecb.omron.com.sg/>

Korea

<https://www.omron-ecb.co.kr/>

Europe

<http://components.omron.eu/>

China

<https://www.ecb.omron.com.cn/>

Japan

<https://www.omron.co.jp/ecb/>

© OMRON Corporation 2012-2021 All Rights Reserved.
In the interest of product improvement, specifications are subject to change without notice.

Cat. No. G052-E1-03
1021(0412)