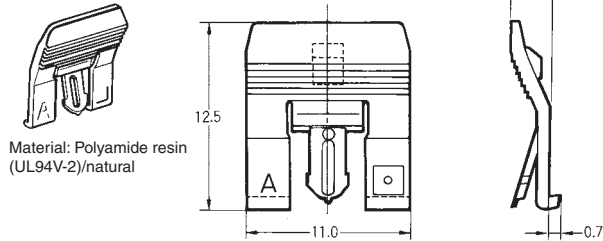


## ■ XG5 Accessories

### Lock Levers

#### XG5Z-0002

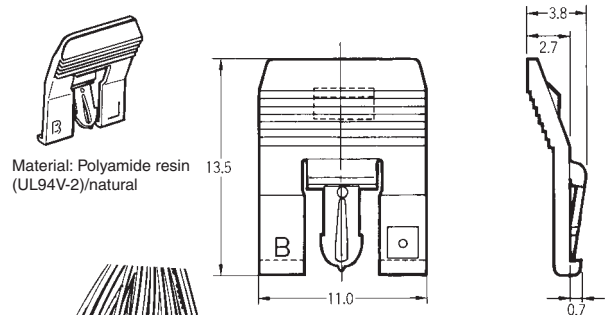
Use to lock Unshrouded Plugs (XG8B and XG8W, with right-angle terminals).



### Lock Levers

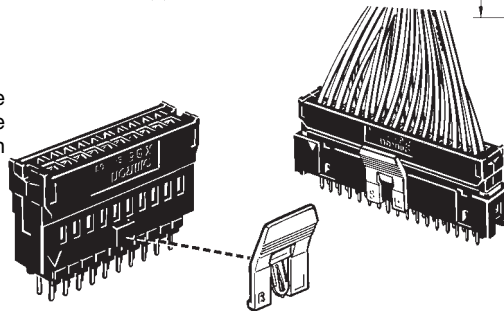
#### XG4Z-0002

Use to lock XG4C Box-type Plugs.



### Mounting the Lock Lever

For Sockets with polarity guides, mount the Lock Lever to the tab to lock the Socket to the Unshrouded Plug as shown in the diagram on the right.

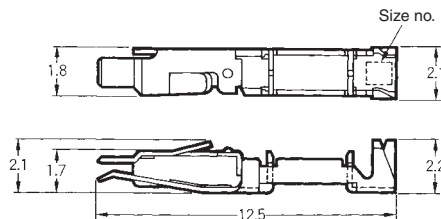


Model
XG5Z-0002
XG4Z-0002

### Spare Contacts

#### XG5W-0031-N (Size #1)

#### XG5W-0034-N (Size #2)



Model
XG5W-0031-N
XG5W-0034-N

- Note: 1.** These Contacts can be used as replacements if a wrong connection is made.
- 2.** The applicable wire for size No. 1 is AWG24 (UL1061). The applicable wire for size No. 2 is AWG26 to AWG24 (UL1007). See page 2 for details.