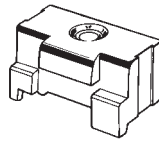
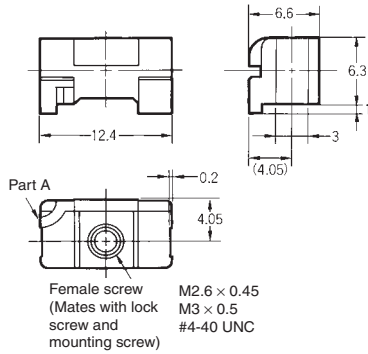


**Anchor 1 (Rectangular)**  
**XM2Z-0001**  
**(M2.6 × 0.45 metric screws)**  
**XM2Z-0002**  
**(M3.0 × 0.5 metric screws)**  
**XM2Z-0003**  
**(#4-40 UNC inch screws)**



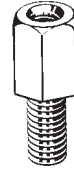
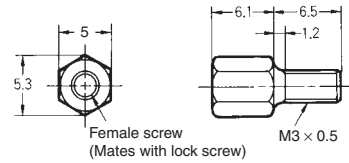
Materials and Finish  
 Zinc die-cast/nickel plated



**Note:** When using a Dust Cover, secure the holding ring at part A.

Model
XM2Z-0001
XM2Z-0002
XM2Z-0003

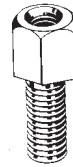
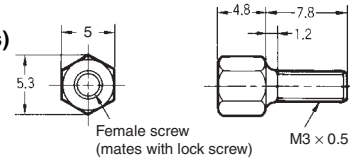
**Anchor 2 (Hexagonal)**  
**XM2Z-0011**  
**(M2.6 × 0.45 metric screws)**  
**XM2Z-0012**  
**(M3.0 × 0.5 metric screws)**  
**XM2Z-0013**  
**(#4-40 UNC inch screws)**



Materials and Finish  
 Iron/nickel plated

Model
XM2Z-0011
XM2Z-0012
XM2Z-0013

**Anchor 3 (Hexagonal)**  
**XM2Z-0021**  
**(M2.6 × 0.45 metric screws)**  
**XM2Z-0022**  
**(M3.0 × 0.5 metric screws)**  
**XM2Z-0023**  
**(#4-40 UNC inch screws)**



Materials and Finish  
 Iron/nickel plated

Model
XM2Z-0021
XM2Z-0022
XM2Z-0023

**Note:** Anchor 3 is used for panel mounting Connectors. Applicable panel thickness is 0.6 to 1.3 mm.

**Note:** 2 anchors are necessary per connector.